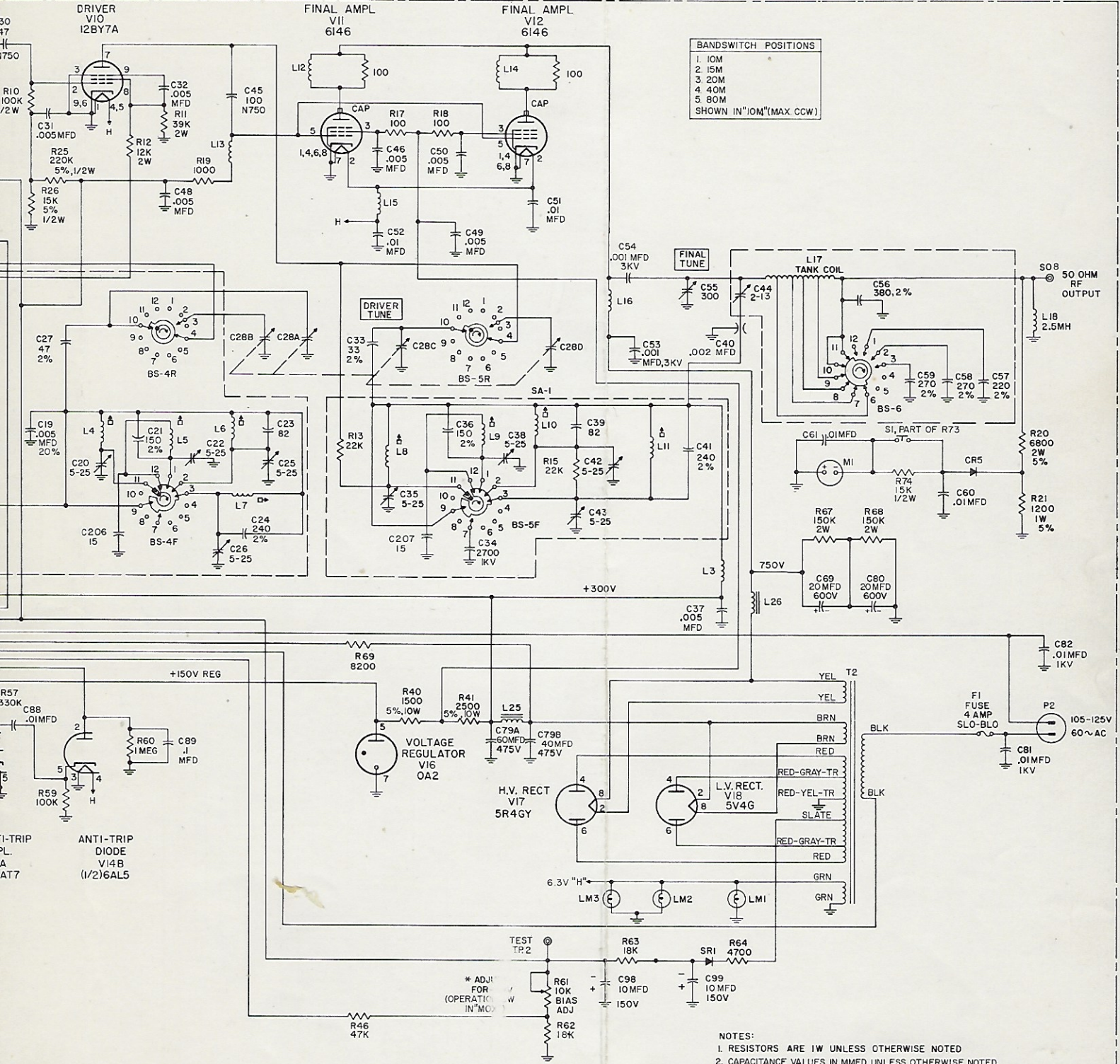
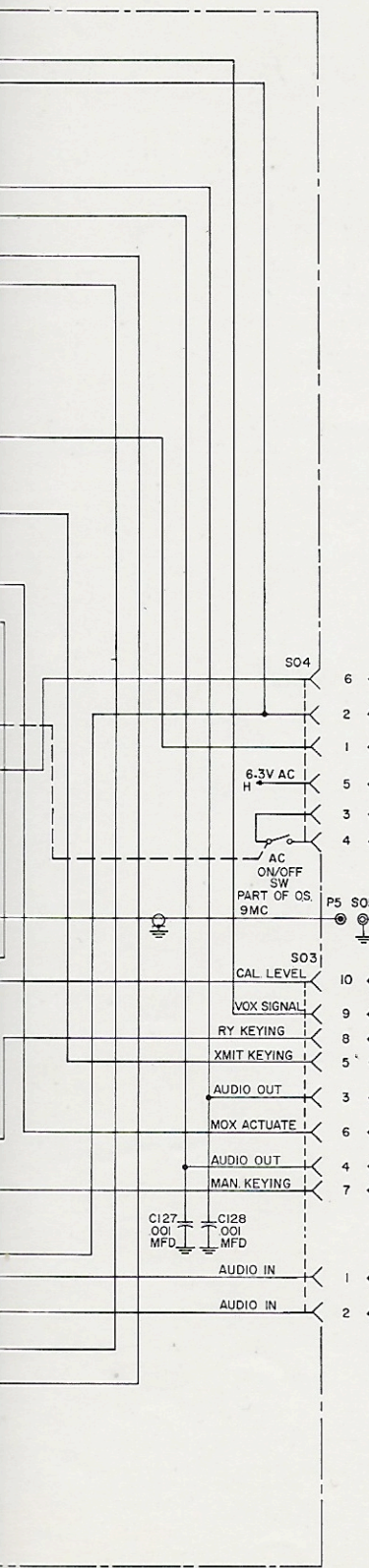
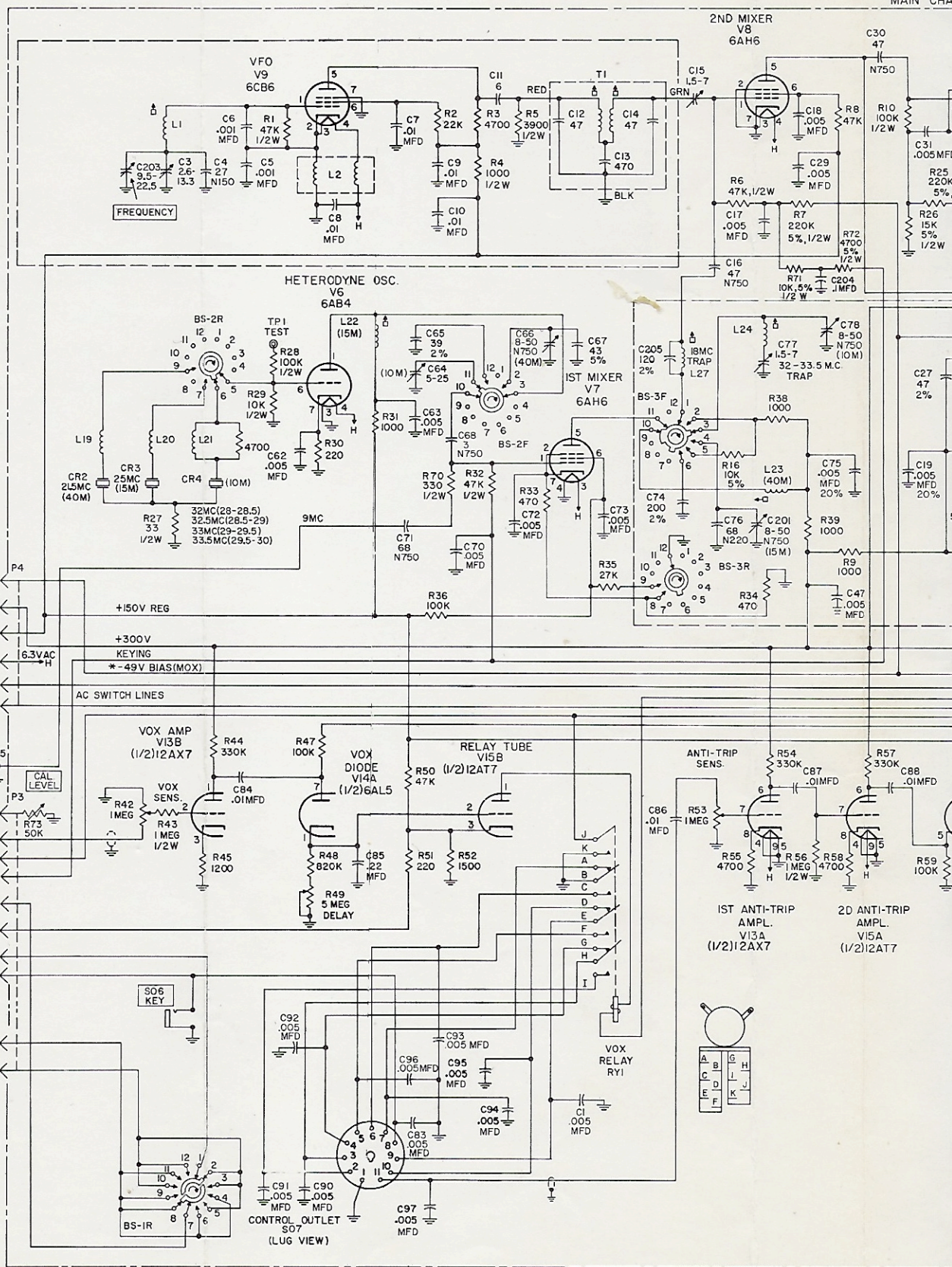


MAIN CHASSIS

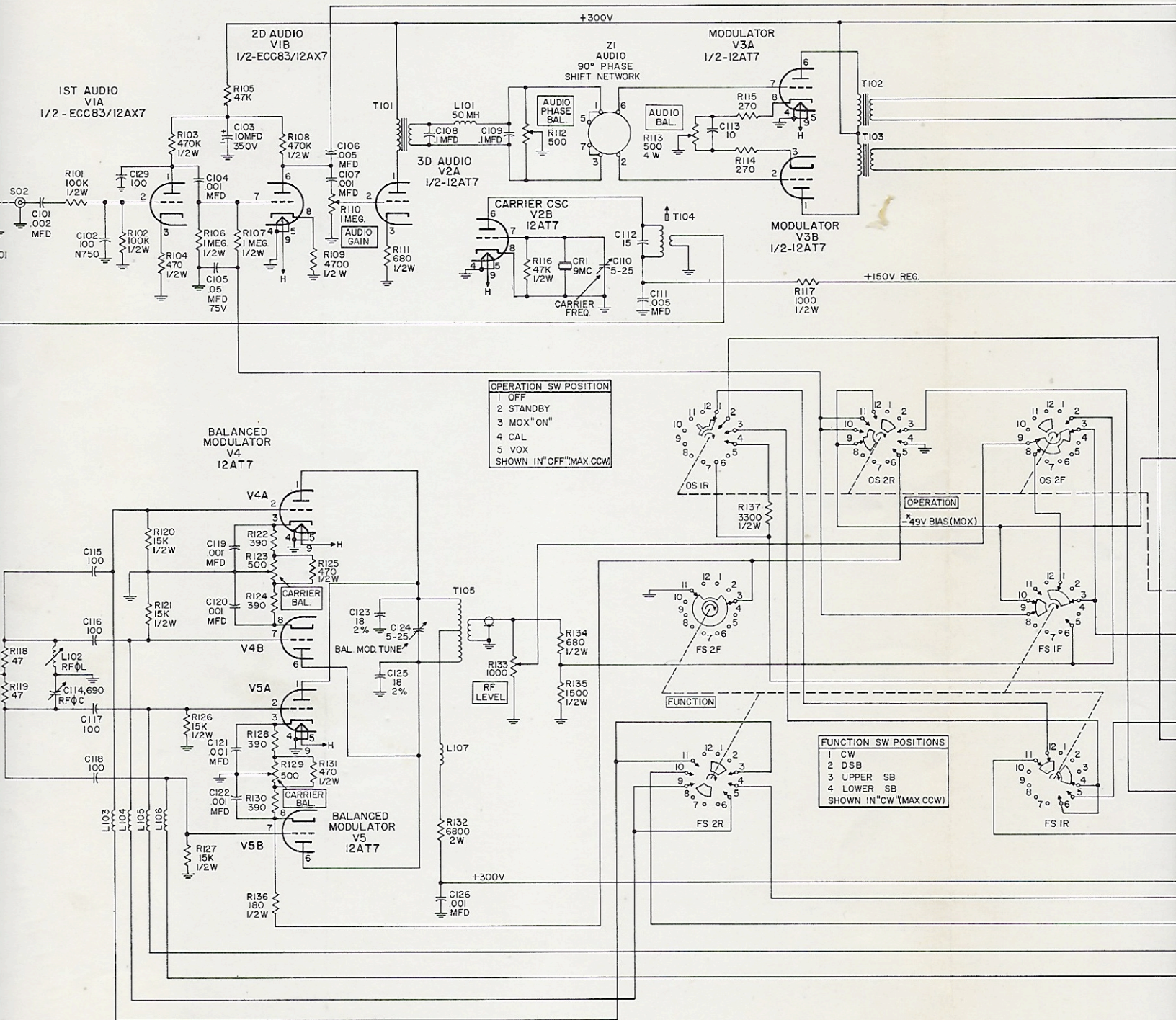


BANDSWITCH POSITIONS	
1.	10M
2.	15M
3.	20M
4.	40M
5.	80M
SHOWN IN "10M"(MAX. CCW)	

- NOTES:
1. RESISTORS ARE 1W UNLESS OTHERWISE NOTED
 2. CAPACITANCE VALUES IN MMFD UNLESS OTHERWISE NOTED
 3. SWITCH WAFERS VIEWED FROM KNOB END OF SHAFT (RIGHT SIDE UP)
 4. OS-OPERATION SWITCH } NUMERAL INDICATES WAFER,
 FS-FUNCTION SWITCH } F - FRONT
 BS-BAND SWITCH } R - REAR
 5. VOLTAGE READINGS SHOWN, EXCEPT FOR * ARE AS MEASURED WITH A VTVM.
 6. *BIAS VOLTAGE MEASURED WITH 20,000-Ω/VOLT DC METER ONLY.
 7. DOTS ON BS-4 AND BS-5 INDICATE FRONT TOOTH AND REAR RING ELECTRICALLY CONNECTED.



SIDE BAND GENERATOR SUB-ASSEMBLY



SIDE BAND GENERATOR SUB-ASSEMBLY

